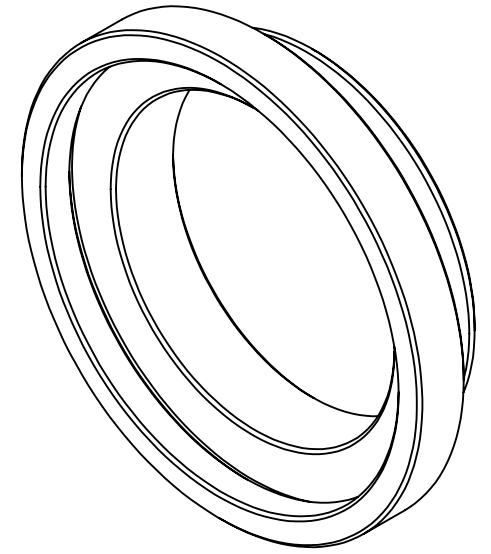
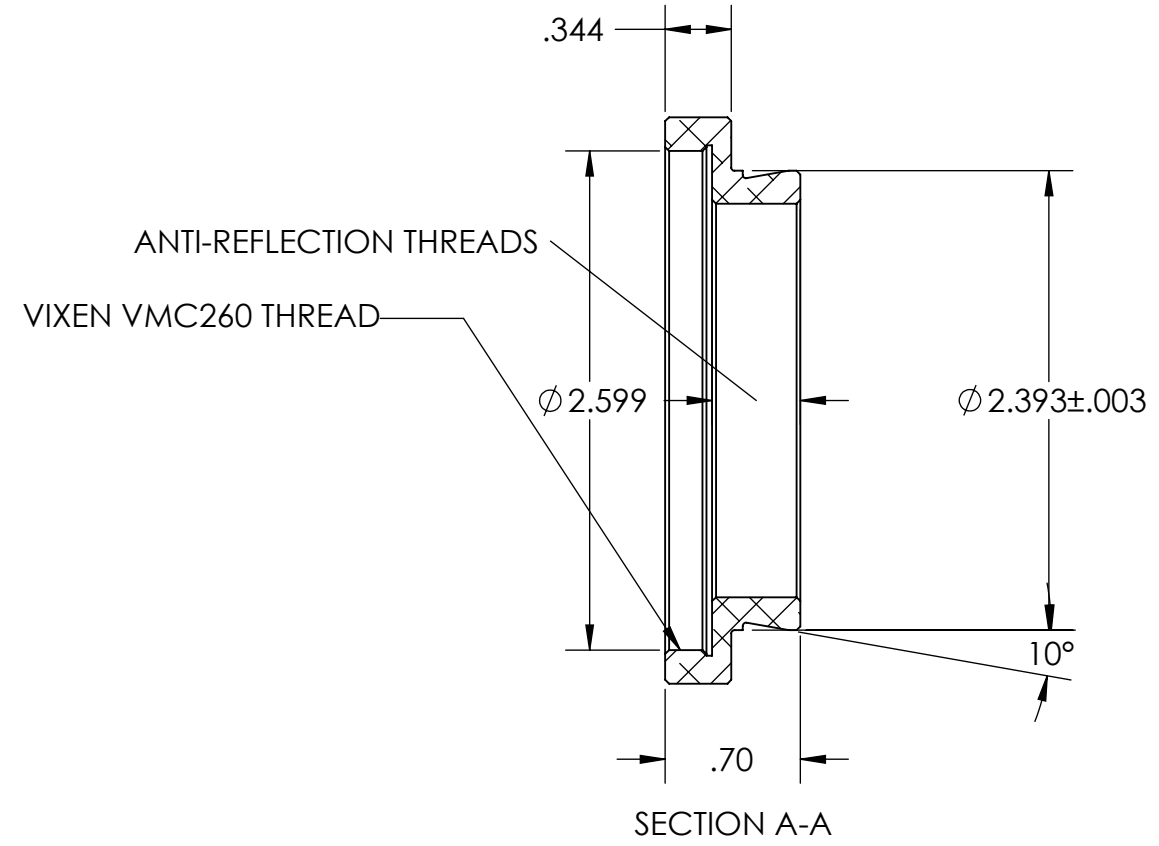
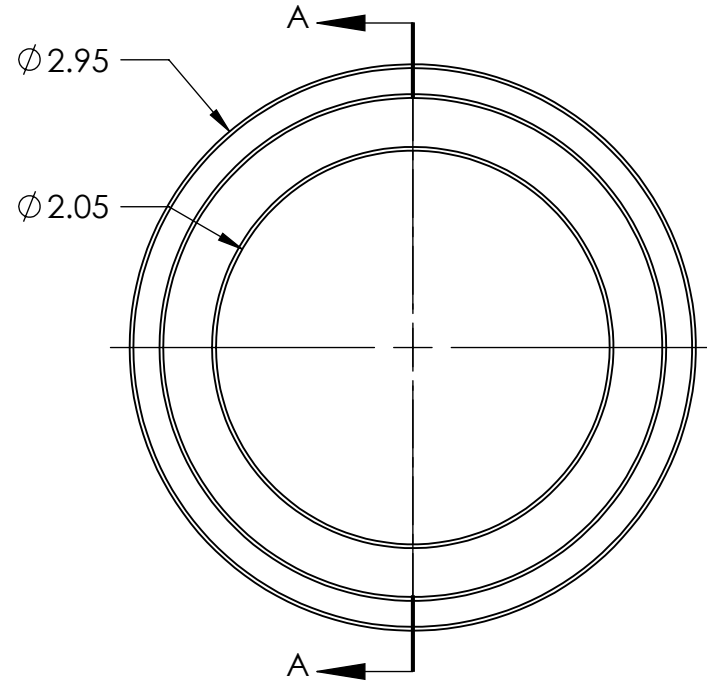
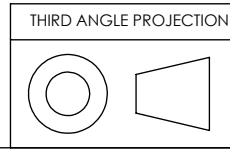


PN 5009
 STK. NO. 19661



UNLESS OTHERWISE SPECIFIED: DIMENSIONS ARE IN INCHES TOLERANCES: FRACTIONAL ± ANGULAR: MACH ± BEND ± TWO PLACE DECIMAL ±.007 THREE PLACE DECIMAL ±.003	DRAWN	NAME	DATE	Optec Inc. TITLE: VIXEN VMC260 TO OPTEC 2400
	CHECKED	LD	11/04/09	
	ENG APPR.			
	MFG APPR.			
				Q.A.
	CONTRACT			
	OPTEC-2400			
	SIZE	DWG. NO.		
	B	17-06704		
	SCALE: 1:1	WEIGHT:	SHEET 1 OF 1	



MATERIAL 6061-T6
 FINISH SEE NOTES
 DO NOT SCALE DRAWING