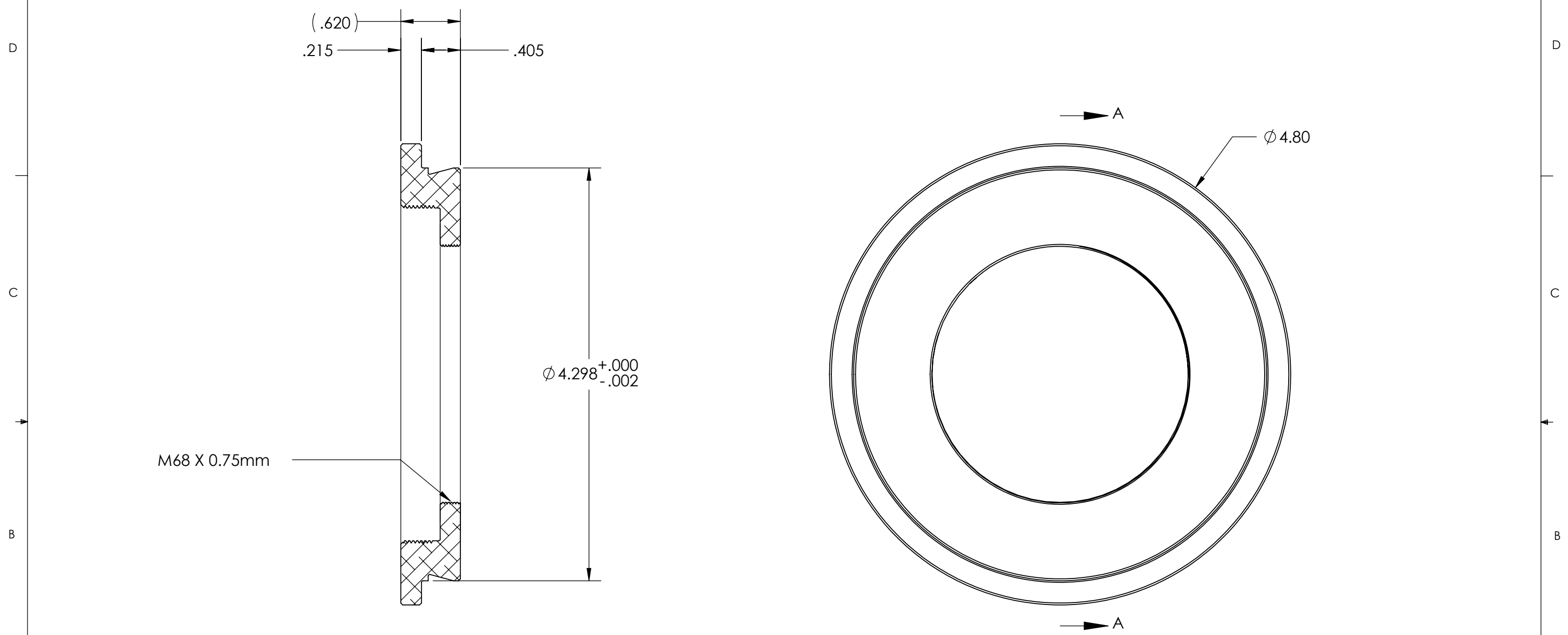


STK NO 19844



|  |                      |            |         |  |
|--|----------------------|------------|---------|--|
| UNLESS OTHERWISE SPECIFIED:<br>DIMENSIONS ARE IN INCHES<br>TOLERANCES:<br>FRACTIONAL ±<br>ANGULAR: MACH ± BEND ±<br>TWO PLACE DECIMAL ±.007<br>THREE PLACE DECIMAL ±.003 | DRAWN                | NAME       | DATE    | <b>Optec Inc.</b>                        |
|  | CHECKED              | LD         | 9/4/15  |  |
|  | ENG APPR.            |            |         |  |
|  | MFG APPR.            |            |         |  |
|  | CONTRACT             |            |         | TITLE:                                   |
|  | MATERIAL             | 6061-T6    |         | OPTEC 4300 TO<br>EPSILON 180ED CORRECTOR |
|  | FINISH               | SEE NOTES  |         | SIZE                                     |
|  | DO NOT SCALE DRAWING | OPTEC 4300 |         | <b>B</b>                                 |
|  |                      | SCALE: 1:1 | WEIGHT: | DWG. NO.<br><b>19-13008</b>              |
|  |                      |            |         | SHEET 1 OF 1                             |

